

## Pack content:

1 aluminum container with 100 test strips  
1 measuring vessel with 5 mL mark

2 bottles Zn<sup>2+</sup>-1

## Measuring range:

2–100 mg/L Zn<sup>2+</sup>

## Color gradation:

0 · 2 · 5 · 10 · 25 · 50 · 100 mg/L Zn<sup>2+</sup>

## Safety precautions:

Zn<sup>2+</sup>-1 contains soda lye 20–55% CAS 1310-73-2. DANGER Causes severe skin burns and eye damage. Do not breathe vapors. Wear protective gloves/eye protection. IF SWALLOWED: rinse mouth. Do NOT induce vomiting. IF ON SKIN (or hair): Remove/Take off immediately all contaminated clothing. Rinse skin with water/shower. IF INHALED: Remove to fresh air and keep at rest in a position comfortable for breathing. IF IN EYES: Rinse cautiously with water for several minutes. Remove contact lenses, if present and easy to do. Continue rinsing.

## General indications:

Remove only as many test strips as are required. Close the container immediately after removing a strip. Do not touch the test field.

## Additional indications:

The red coloration of the unused test field is normal and does not indicate any decomposition of the reagents.

## Instructions for use:

1. Rinse the measuring vessel with the test solution and fill it to the 5 mL mark.
  2. Add 10 drops Zn<sup>2+</sup>-1 (soda lye) to the sample. If turbidity or precipitates develop, the solution should be filtered prior to the test.
  3. Shake carefully.
  4. Dip the test strip into the test solution for 1 second.
  5. Shake off excess liquid.
  6. Wait 30 seconds.
  7. Compare with the color scale.
- If zinc ions are present, the test field turns red.

## Interferences:

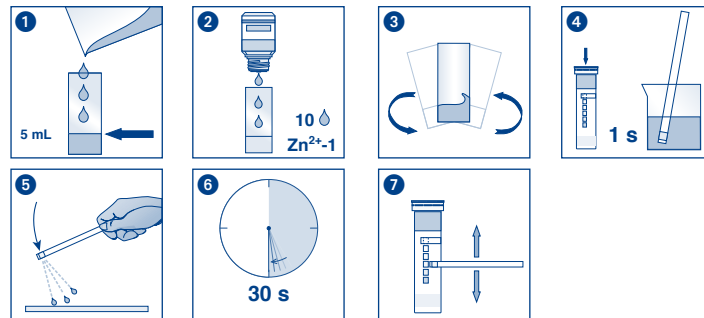
The following ions interfere with the determination in higher concentrations:  
> 1000 mg/L Ag<sup>+</sup>, Al<sup>3+</sup>, Bi<sup>3+</sup>, Ca<sup>2+</sup>, Cd<sup>2+</sup>, Co<sup>2+</sup>, Fe<sup>2+</sup>, Fe<sup>3+</sup>, Mn<sup>2+</sup>, NH<sub>4</sub><sup>+</sup>, Pb<sup>2+</sup>, Sn<sup>2+</sup>, Sn<sup>4+</sup>, Cl<sup>-</sup>, CrO<sub>4</sub><sup>2-</sup>, NO<sub>2</sub><sup>-</sup>, NO<sub>3</sub><sup>-</sup>, PO<sub>4</sub><sup>3-</sup>, SCN<sup>-</sup>, SO<sub>3</sub><sup>2-</sup>, SO<sub>4</sub><sup>2-</sup>, acetate, ascorbate, citrate, oxalate, tartrate.  
The following ions lead to a fading of the colour reaction with corresponding low test results:  
> 500 mg/L Cr<sup>3+</sup>, > 200 mg/L CN<sup>-</sup>, > 100 mg/L Mg<sup>2+</sup>, > 50 mg/L S<sup>2-</sup>, > 25 mg/L Ni<sup>2+</sup>. The presence of Cu<sup>2+</sup>, > 10 mg/L Hg<sup>+2</sup> in concentrations above 10 mg/L (precipitation with iron or cadmium powder in weak acid solution) and MnO<sub>4</sub><sup>-</sup> in concentrations above 50 mg/L (destruction with hydroxylammonium chloride in acidic solution) turns the test field brown.

## Disposal:

Dispose of used strips at an authorised hazardous waste collection point.

## Storage:

Avoid exposing the strips to sunlight and moisture. Keep container cool and dry (storage temperature not above +30 °C).  
If correctly stored, the test kit may be used until the use-by-date printed on the packaging.



REF	Artikelnummer / Item number / Référence produit / Referencia / Artikelnummer / Numero di catalogo / Numer artykułu	LOT	Chargencode / Batch identification / Número de lot / Código de lote / Produktionummer / Codice del lotto / Numer partii
	Achtung! / Warning! / Attention! / ¡Atención! / Let op! / Attenzione! / Uwaga!		Verwendbar bis / Use by / À utiliser avant / Fecha de caducidad / Te gebruiken tot / Utilizzare entro (anno / mese) / Przydatność do użycia
	Temperaturbegrenzung / Permitted storage temperature range / Limites de température / Limites de temperatura / Temperatuurbegrenzing / Limite de temperatura / Ograniczenie temperatury		Trocken aufbewahren / Store in a dry place / Conserver au sec / Mantener seco / Op een droge plaats bewaren / Mantenerse asciutto / Przechowywać w suchym miejscu
	Gebrauchsanweisung beachten / Please read instructions for use / Respecter les instructions d'utilisation / Observe las instrucciones de uso / Lees de bijsluiting / Consultare le istruzioni per l'uso / Przestrzegać instrukcję użycia		Packung geschlossen halten / Keep container closed / Refermer la boîte / Mantenga el envase cerrado / Verpak- king gesloten houden / Conservare la confezione chiusa / Przechowywać pojemnik szczelnie zamknięty
	Ausreichend für <n> Prüfungen / Contains sufficient for <n> tests / Contenu suffisant pour <n> tests / Contenido suficiente para <n> tests / Voldoende voor <n> tests / Contenuto sufficiente per <n> test / Wystarczająco dla kontroli <n>		